

**WICKFORD PLANTER
& EXTENSION KIT**
(100 & 101)

**WICKFORD ESTATE
PLANTER & EXT. KIT**
(110 & 111)

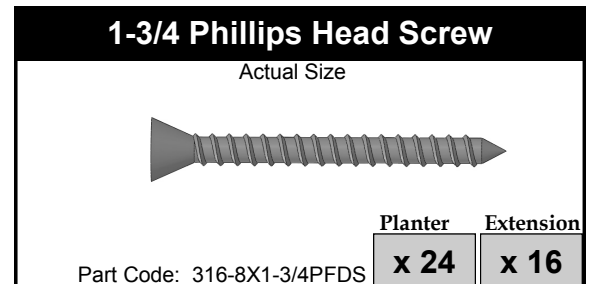
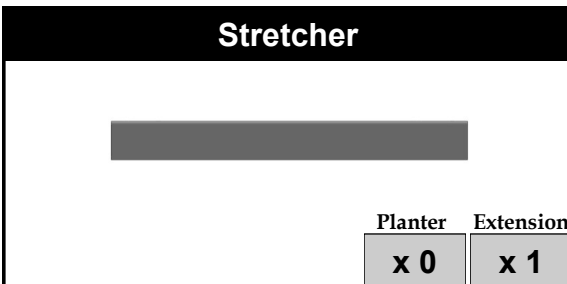
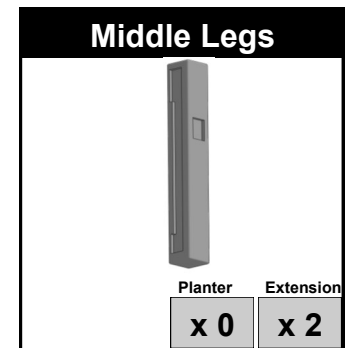
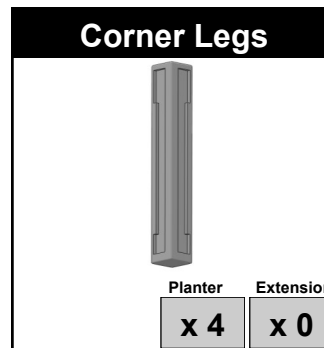
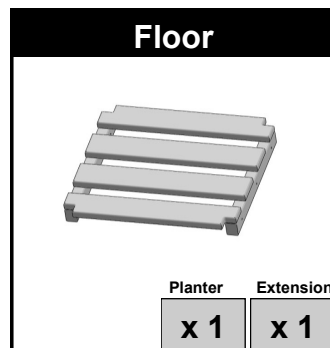
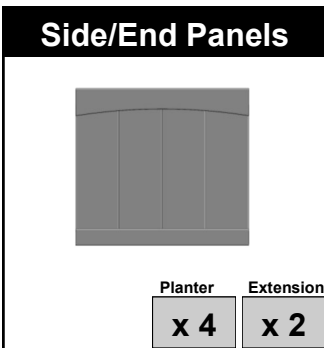


ASSEMBLY INSTRUCTIONS

1

PLEASE READ INSTRUCTIONS COMPLETELY BEFORE BEGINNING.
Carefully remove contents from box. Make sure that all parts and hardware are included using the Parts List below.

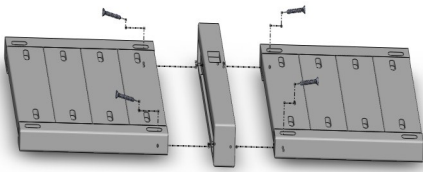
Tools Required: #2 Phillips Head Screwdriver



WARRANTY QUESTIONS OR COMMENTS PLEASE CALL TOLL FREE AT 1-800-809-3114

2

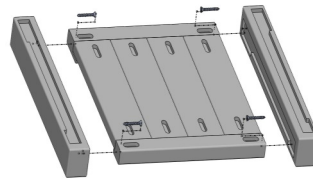
CREATE EXTENDED SIDE PANELS (FOR EXTENSION KIT ONLY)



If you have purchased an extension kit for your Wickford Planter, line up pockets in Middle Legs with Side Panels as shown. Attach using (4) 1 3/4" Phillips Head Screw thru pockets in upper and lower aprons. Repeat process for other Side Panel Assembly.

3

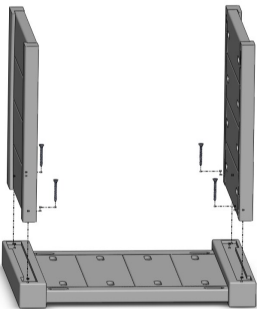
ATTACH CORNER LEGS TO SIDE PANELS



If you have purchased an Extension Kit for your Wickford Planter, use the Extended Side Panels for this step. Line-up pockets in (2) Corner Legs with Side Panel. Attach using (4) 1 3/4" Phillips Head Screws thru pockets in upper and lower aprons. Repeat process for other (2) Corner Legs.

4

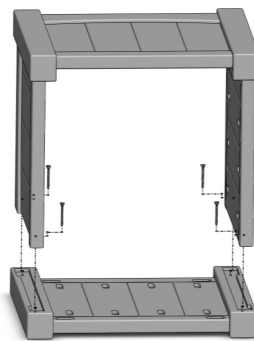
ATTACH REMAINING (2) END PANELS TO CORNER LEGS



Line up (2) remaining End Panels with pockets on Legs from one of the assemblies from Step 3. Secure using (4) 1 3/4" Phillips Head Screws.

5

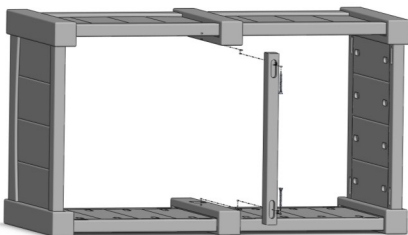
FINAL SIDE ASSEMBLY



Turn 3-panel assembly over and align End Panels with pockets on Legs of remaining Side Assembly from step 3. Secure using (4) 1 3/4" Phillips Head Screws.

6

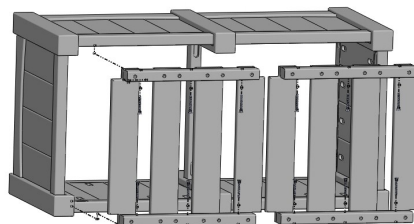
ATTACH STRETCHER (FOR EXTENSION KIT ONLY)



Place Stretcher into pockets in Middle Legs from the bottom of the assembly. Secure using (2) 1 3/4" Phillips Head Screws.

7

ATTACH FLOOR(S)



Slide Floor Assembly into the bottom of unit, aligning floor cleats with lower aprons. Flush slats to one side to ensure that the planter is square. Secure using (6) 1 3/4" Phillips Head Screws (or (8) for Estate size) per Floor Assembly.

8

TIGHTEN ALL CONNECTIONS. AVOID OVER TIGHTENING; DOING SO CAN CAUSE DAMAGE TO THE PRODUCT.