

DEX Ottoman
(146)



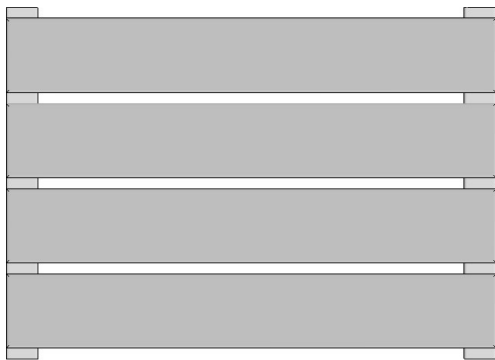
ASSEMBLY INSTRUCTIONS

1

PLEASE READ INSTRUCTIONS COMPLETELY BEFORE BEGINNING.
Carefully remove contents from box. Make sure that all parts and hardware are included using the Parts List below.

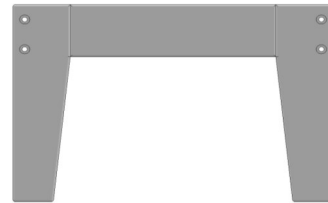
Tools Required: 4mm Allen Wrench (included); #2 Phillips Head Screwdriver;

Foot Rest



x 1

Leg Assembly



x 2

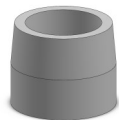
Apron



x 2

5/8" tap®

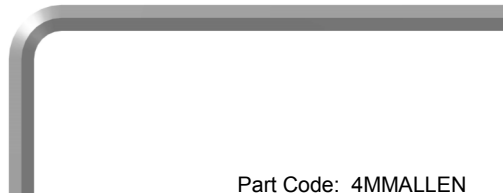
Actual Size



x 8

4mm Allen Wrench

Actual Size



Part Code: 4MMALLEN

x 1

50mm Hex Lag

Actual Size

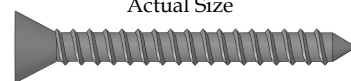


Part Code: 316-1/4-10-50HL

x 8

1-3/4" Phillips Head Screw

Actual Size



Part Code: 316-8X1-3/4PFDS

x 8

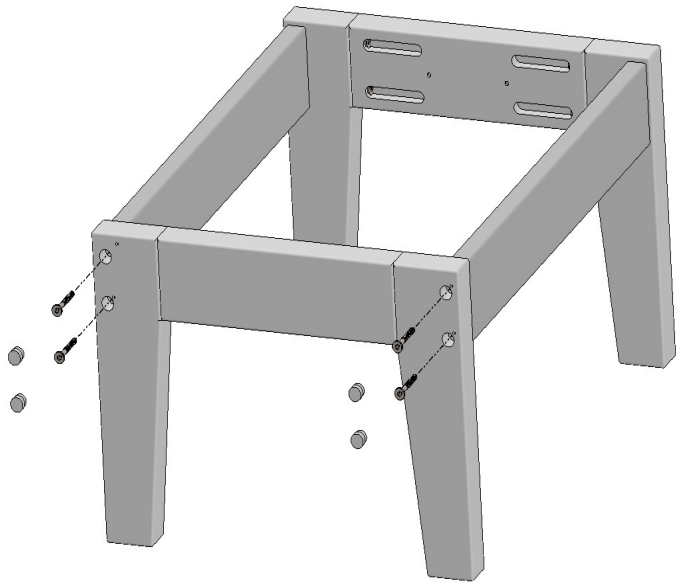
WARRANTY QUESTIONS OR COMMENTS PLEASE CALL TOLL FREE AT 1-800-809-3114

2

ATTACH LEGS TO APRONS

Attach Leg Assembly to Aprons using (4) 50 mm Hex Lags thru counter-bored holes in Leg Assembly into pilot holes in aprons. Plug Holes using 5/8" taps®.

Repeat process for other side.



3

SECURE FOOT REST TO LEGS

Secure Foot Rest to Leg Assembly using (4) 1-3/4" Phillips Head Screws through counter-sunk holes in cleats into pilot holes in Leg Assembly. (Confirm that Foot Rest is flush with Aprons before tightening)

Repeat process for other side.

