

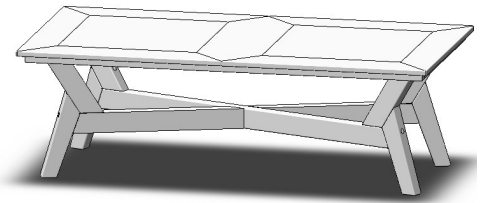
DEX Coffee Table

150



SEASIDE CASUAL

MADE IN RHODE ISLAND

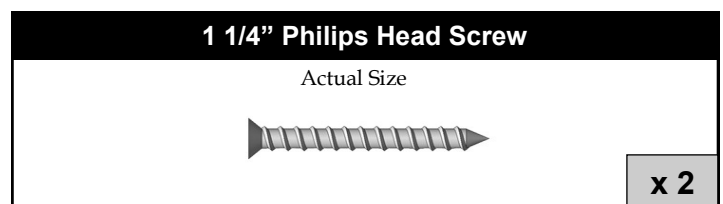
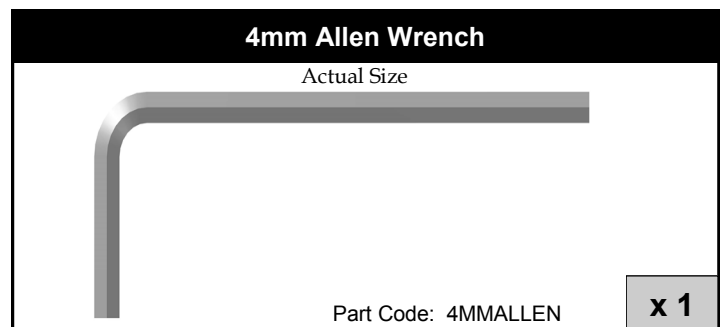
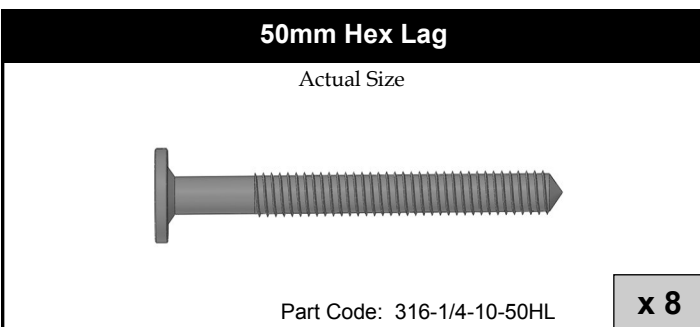
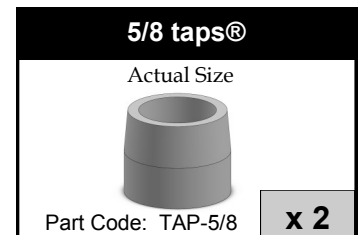
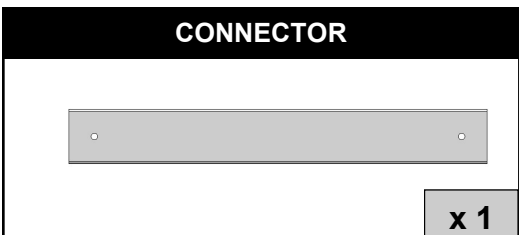
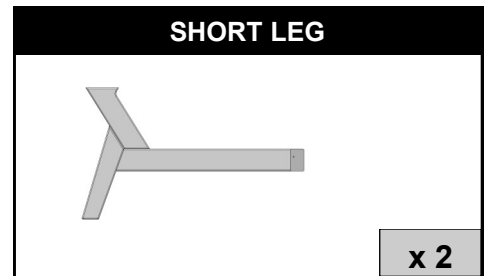
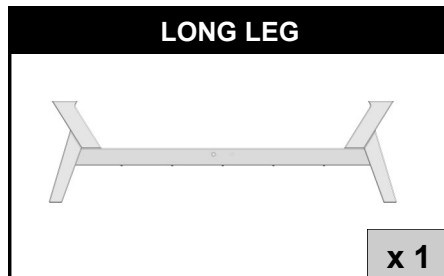
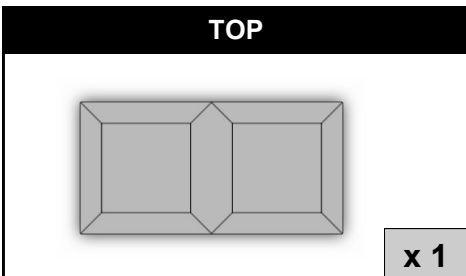


ASSEMBLY INSTRUCTIONS

1

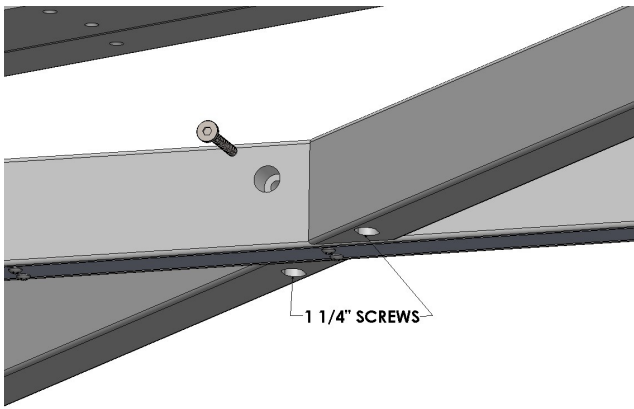
PLEASE READ INSTRUCTIONS COMPLETELY BEFORE BEGINNING.
Carefully remove contents from box. Make sure that all parts and hardware are included using the Parts List below.

Tools Required: 4mm Allen Wrench (included); #2 Phillips Head Screwdriver;
(Recommended: Rubber Mallet; Power Drill)

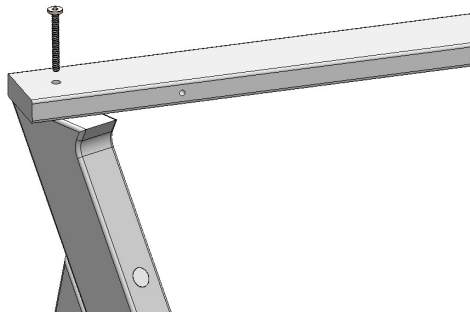


WARRANTY QUESTIONS OR COMMENTS PLEASE CALL TOLL FREE AT 1-800-809-3114

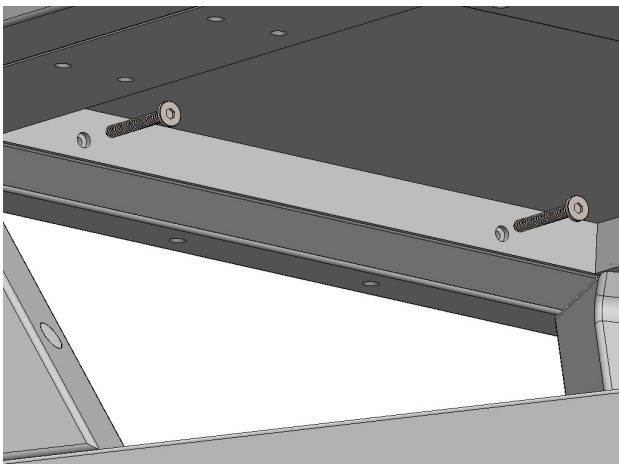
Seaside Casual Furniture | 11 Industrial Drive Coventry, RI 02816 | 800-809-3114 | sales@seasidecasual.com

2**ASSEMBLE LEGS**

Attach Long Leg to Short Leg using (2) 50mm Lags and (2) 1 1/4" Philips head screws. Plug holes with 5/8" taps®.

3**ATTACH CONNECTOR TO LEGS**

Attach Connector to legs using (4) 50mm Lags.

4**ATTACH CONNECTOR TO ALUMINUM FROM UNDERNEATH**

Attach Leg Assembly to Top using (4) 50mm Lags to Connector through aluminum holes.