

MAD Tables

- (271 40" x 85" Dining)
- (272 40" x 85" Balcony)
- (273 40" x 85" Bar)
- (274 40" Dining)
- (275 40" Balcony)
- (276 40" Bar)
- (277 33" Dining)
- (278 33" Balcony)
- (279 33" Bar)



SEASIDE CASUAL



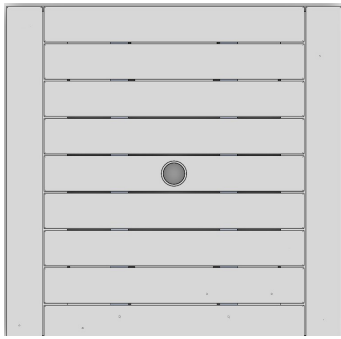
ASSEMBLY INSTRUCTIONS

1

PLEASE READ INSTRUCTIONS COMPLETELY BEFORE BEGINNING.
Carefully remove contents from box. Make sure that all parts and hardware are included using the Parts List below.

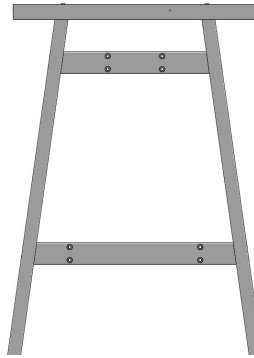
Tools Required: 4mm Allen Wrench (included); #2 Phillips Head Screwdriver; Rubber Mallet

Table Top Assembly



x 1

Leg Assembly



x 2

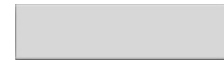
Leg Stretchers



271, 272, 273, 275, 276, 278, 279	x 4
-----------------------------------	-----

274, 277	x 2
----------	-----

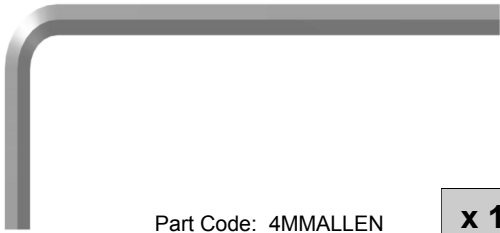
Cross Stretchers



271, 272, 273	x 4
---------------	-----

4mm Allen Wrench

Actual Size



Part Code: 4MMALLEN x 1

5/8" Bung



274, 277	x 8
----------	-----

275, 276, 278, 279	x 16
--------------------	------

271, 272, 273	x 32
---------------	------

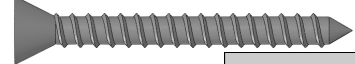
Angle Braces



271, 272, 273	x 2
---------------	-----

1-3/4" Phillips Head Screw

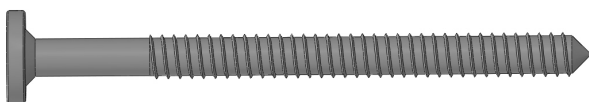
Actual Size



Part Code: 316-8X1-3/4PFDS 271, 272, 273 x 8

80mm Hex Lag

Actual Size



Part Code: 316-1/4-10-80HL

274, 277	x 8
----------	-----

275, 276, 278, 279	x 16
--------------------	------

271, 272, 273	x 32
---------------	------

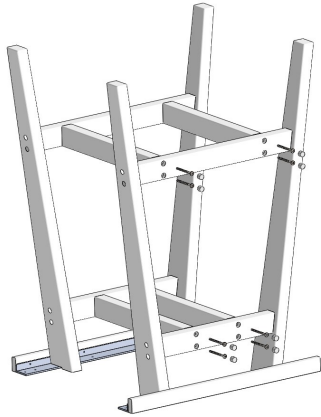
3/4" Phillips Pan Head Screw

Actual Size

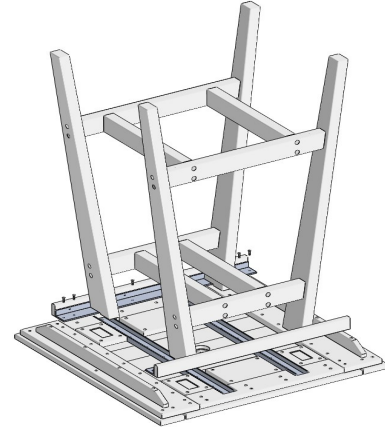


Part Code: 316-8X3/4PTS x 12

WARRANTY QUESTIONS OR COMMENTS PLEASE CALL TOLL FREE AT 1-800-809-3114

2**ATTACH STRETCHERS TO LEG ASSEMBLIES**

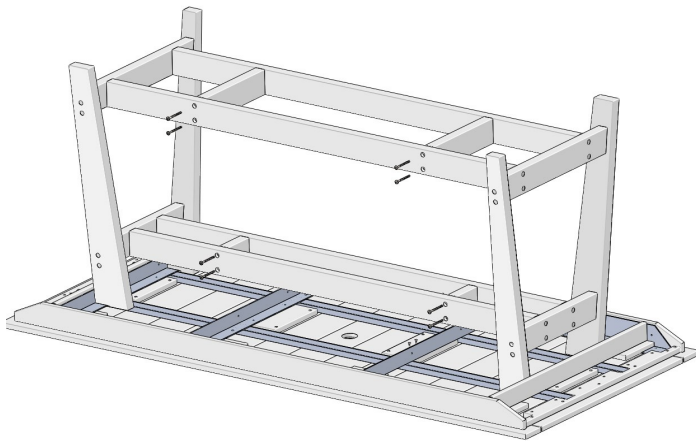
Attach Leg Stretchers to Leg Assemblies using 80mm Hex Lags as shown. Plug holes with 5/8" Bungs using Rubber Mallet.

3**ATTACH BASE ASSEMBLY TO TABLE TOP ASSEMBLY**

Flip over Base assembly on to Table Top Assembly. Center Base on Table Top. Secure Aluminum Support Braces to Table top using (12) 3/4" Phillips Pan Head Screws.

4**ATTACH CROSS STRETCHERS TO LEG STRETCHERS** (271, 272, 273)

Attach Cross Stretchers to Leg Stretchers using (16) 80mm Hex Lags. Plug holes with 5/8" Bungs using Rubber Mallet.

**5****ATTACH ANGLE BRACES** (271, 272, 273)

Attach Angle Braces to Table Top and Cross Stretchers using (8) 1-3/4" Phillips Head Screws.

